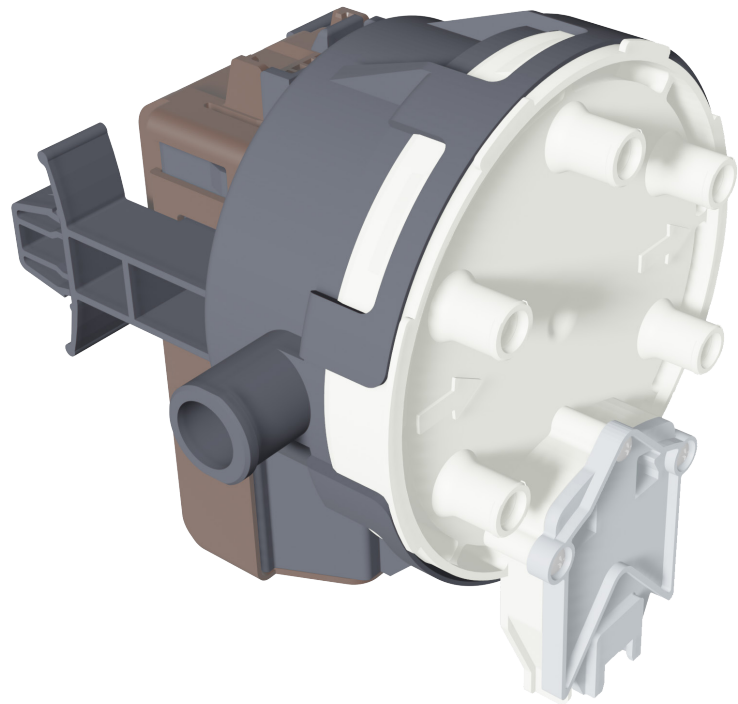


## Multidosing Pump



### Description

A complete stand-alone system with high dosing accuracy (error < 3%) which is able to dose and mix different fluids with water in order to have a ready-to-use mixed fluid. The inlet selection and dosing functions of the system are managed by an embedded electronic module and enabled by a single actuator, which pumps the fluid by

using a peristaltic principle. An optional electronic module can be integrated to detect the presence or absence of fluid inside the mixing chamber, replacing the multiple sensors that are usually applied to the single respective storage tanks. 12 Vdc motor. The multidosing pump can be fixed by a quick snap-in system or by screws.

### Main Benefits

- Up to 6+ dosed fluids with 1 device
- Compact size and single actuator
- Integrated mixing chamber
- High dosage resolution
- No constraints in the tanks position

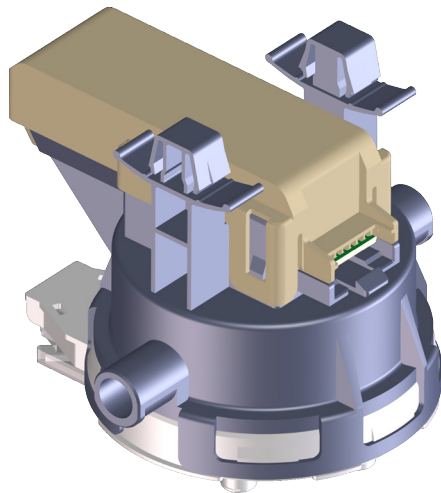
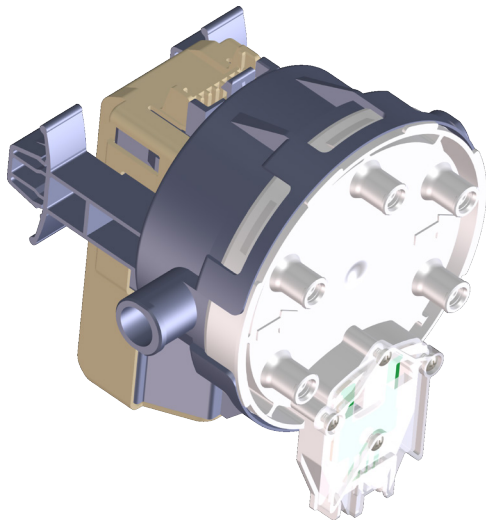
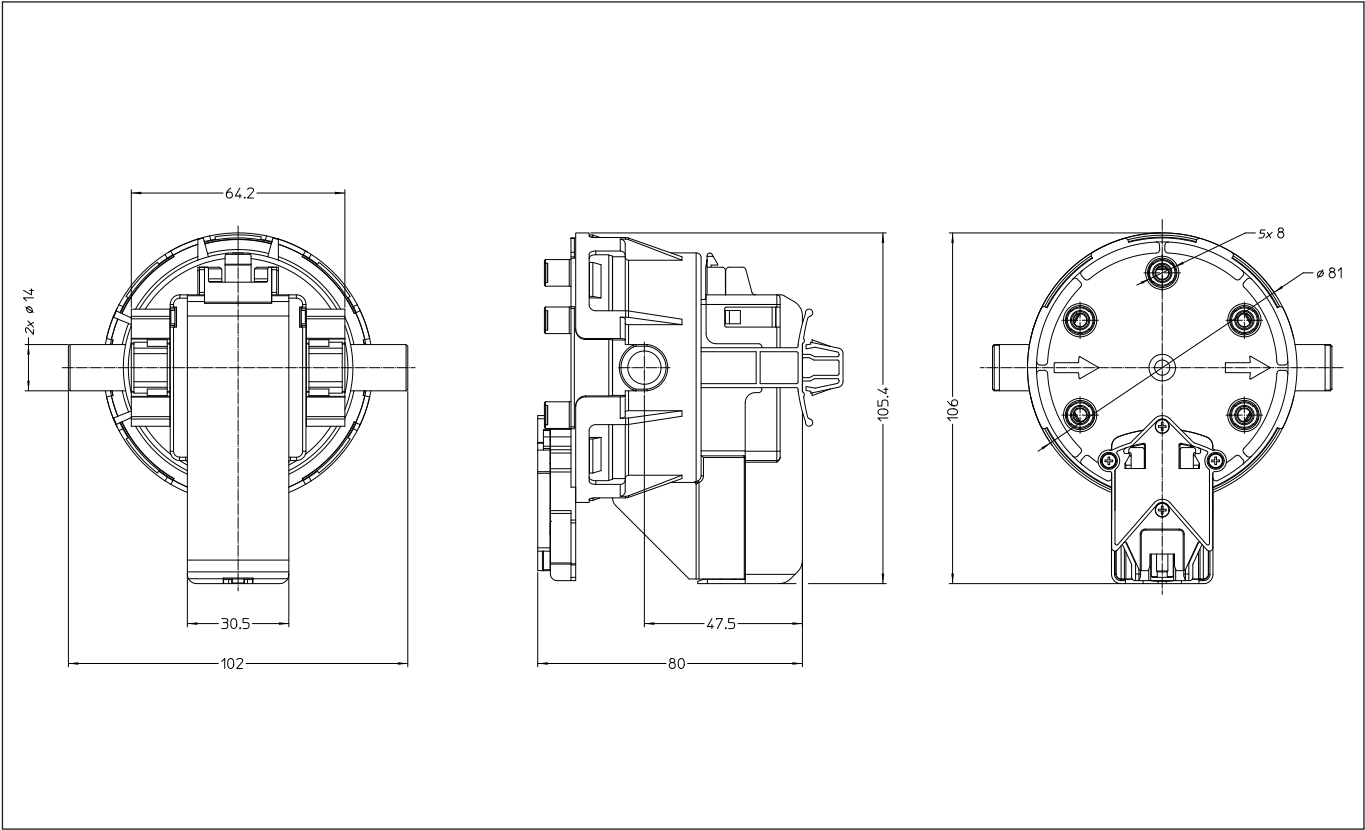
### ROLD Innovation Product 2022

- Proprietary and patented technology
- Adaptable to manage the flow of each fluid
- Customizable for any type of household appliance and professional system



# Rold MD Series

## Multidosing Pump



All products are approved to current Quality Standards. The Company reserves the right to make technical modifications to improve the product. Sizes indicated are not binding. For special applications, not mentioned here, please ask the manufacturer for further information. Uncorrect electrical wiring or assembling may cause overheating of the switch and consequent risk of short-circuit and fire. Update: March 2022