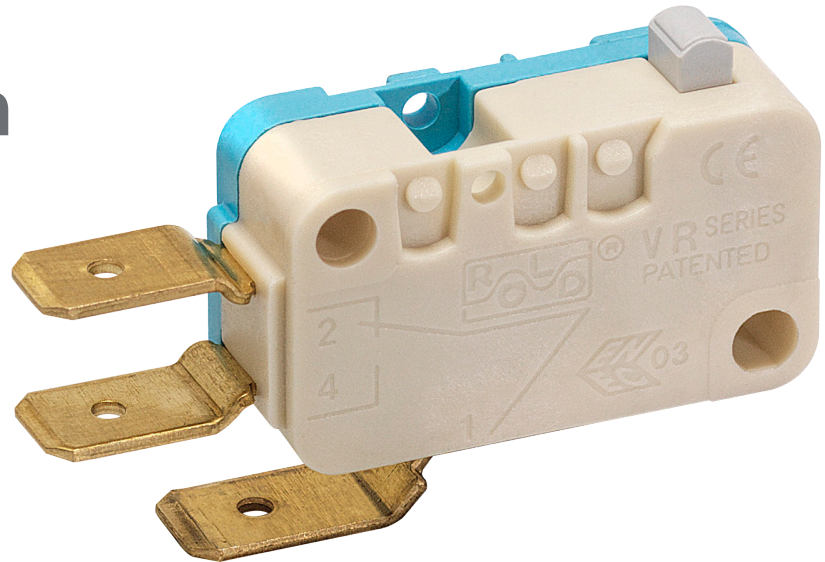


Multipurpose Microswitch



Description

A small size multipurpose switch for any kind of household appliance with excellent mechanical durability. An evergreen product with continuous improvements for a wide household appliances and industrial equipments application.

The great electrical performances make this product suitable for any type of electrical circuit, AC or DC and within a 0.125A-16A voltage range as well as in resistive and inductive circuits within

0.5mA-24A current range.

Terminals are made with brass alloy and their size is DIN46244-compliant. Superior quality and highest level of reliability given by the fully automated production process and the selection of excellent material.

Main Benefits

- Steady reliability of the welding process
- Very low differential force
- Precision of the switch actuating point

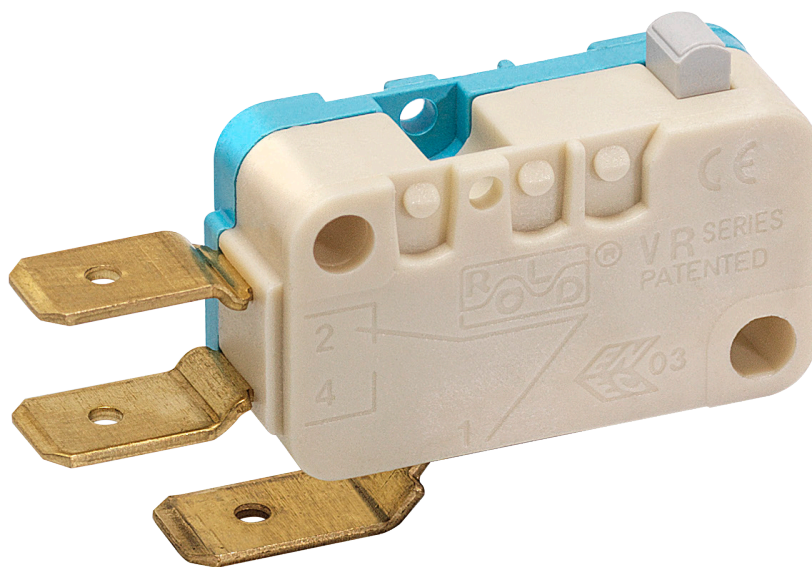
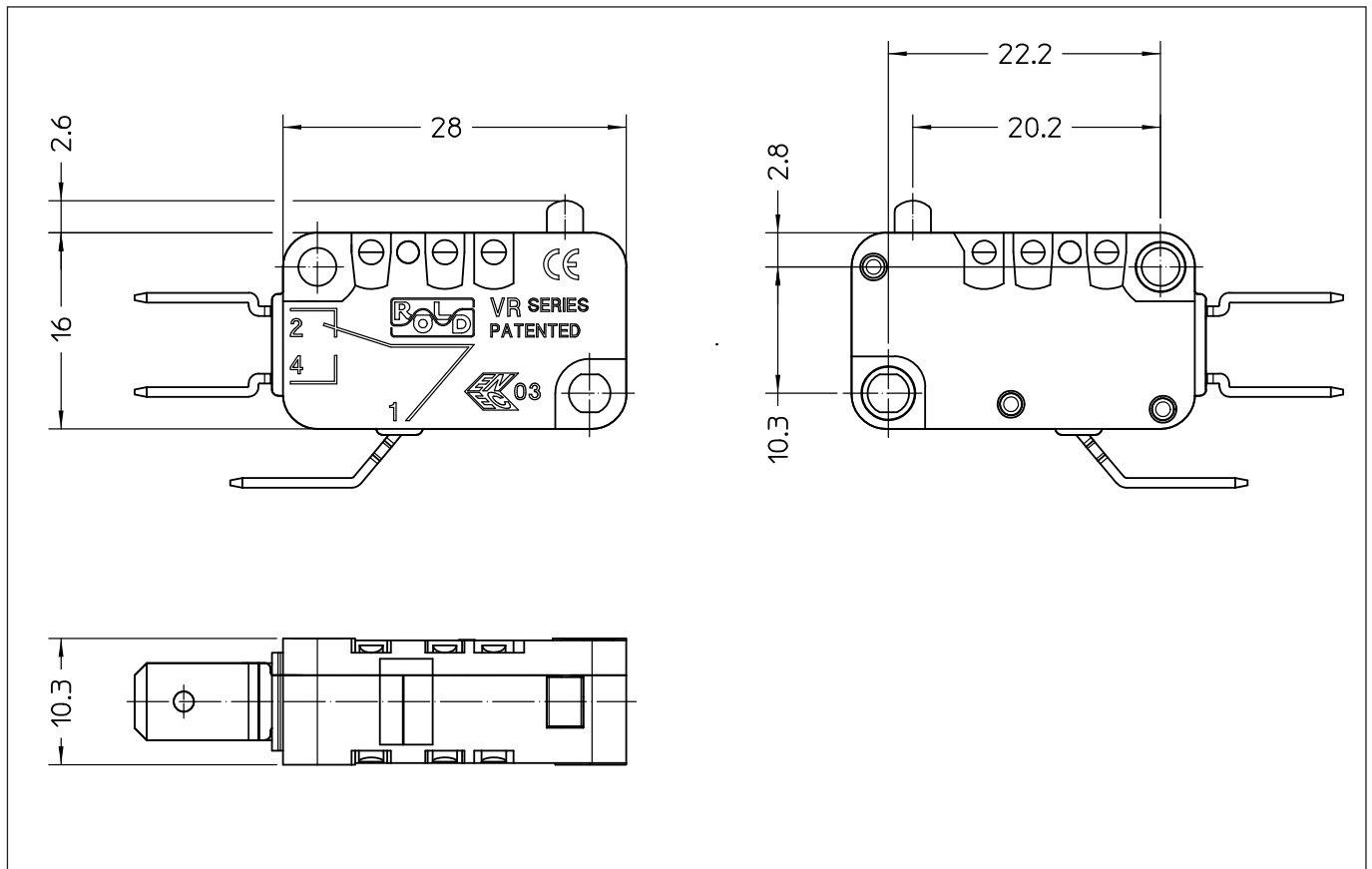
Certifications





Rold VR Series

Multipurpose Microswitch



All products are approved to current Quality Standards. The Company reserves the right to make technical modifications to improve the product. Sizes indicated are not binding. For special applications, not mentioned here, please ask the manufacturer for further information. Uncorrect electrical wiring or assembling may cause overheating of the switch and consequent risk of short-circuit and fire. Update: March 2022